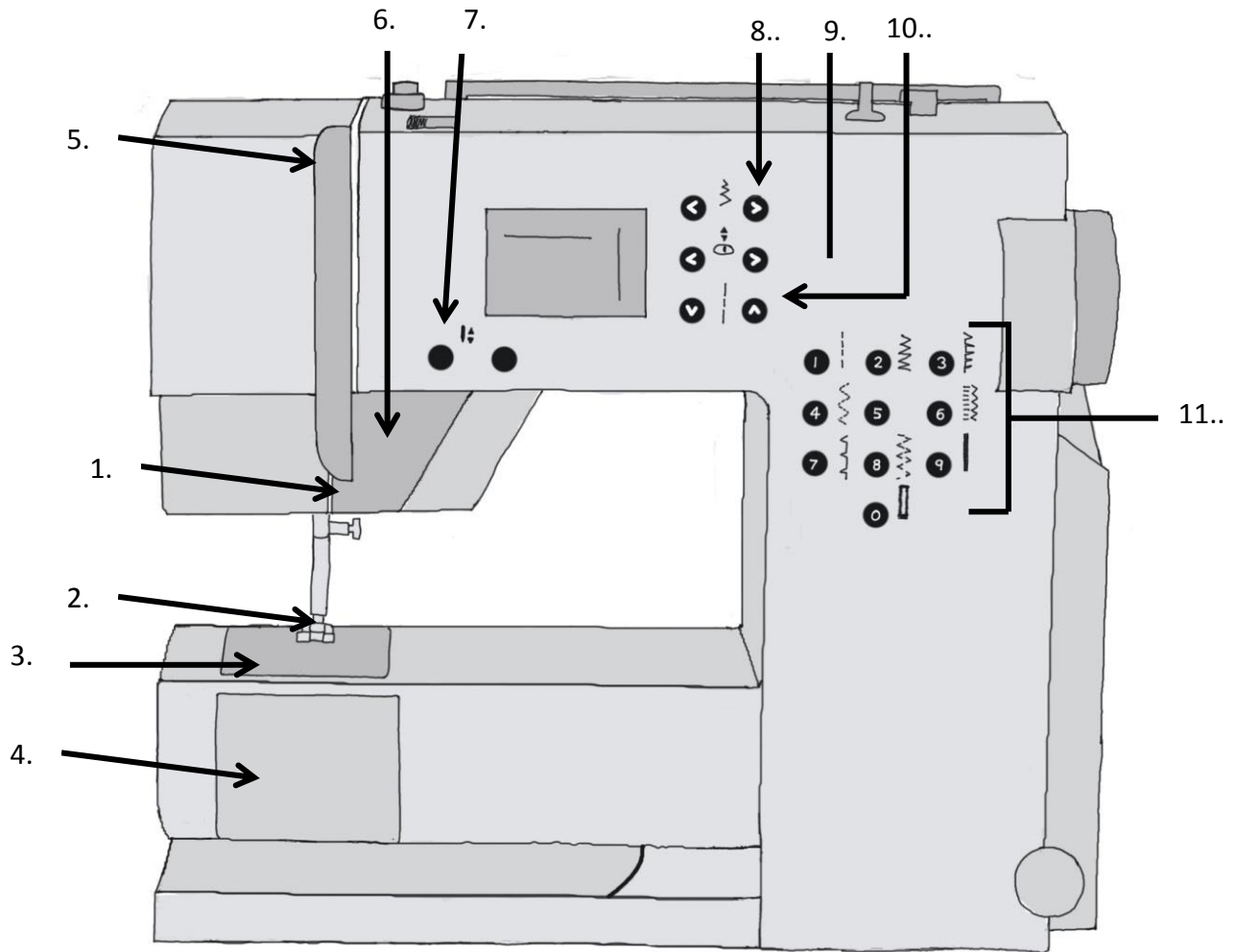


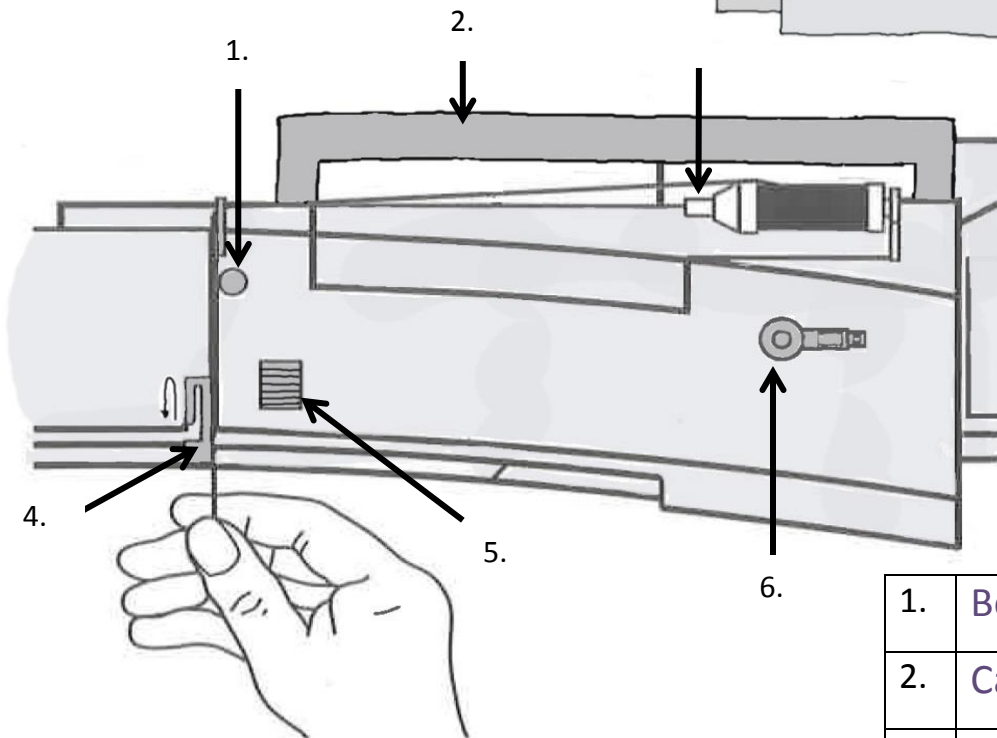
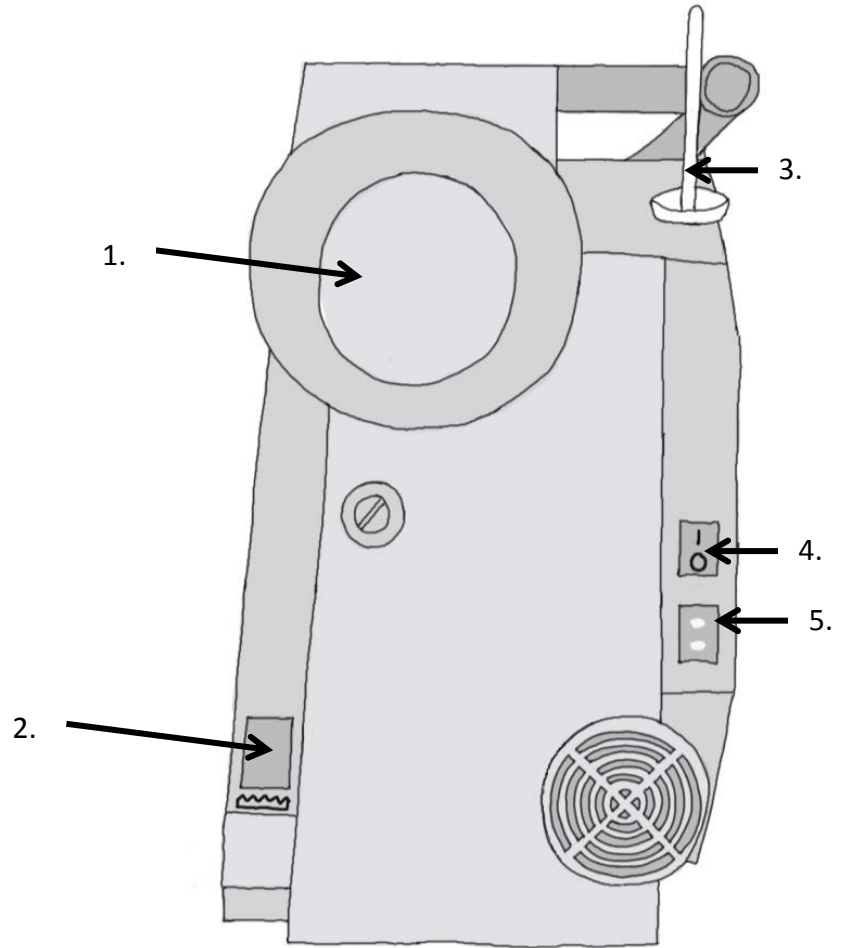
Sewing Machine Parts



1.	Thread Guide
2.	Presser Foot
3.	Stitch Plate
4.	Bobbin Cover
5.	Take up Lever
6.	Reverse Button

7.	Needle Up and Down
8.	Stitch Width
9.	Needle Position
10.	Stitch Length
11.	Stitch Selector

1.	Hand Wheel
2.	Drop Feed Control
3.	Spool Holder
4.	Power Switch
5.	Power Plug Socket



1.	Bobbin Thread Guide
2.	Carry Handle
3.	Thread Spool Holder
4.	Thread Guide
5.	Thread Tension Adjustor
6.	Bobbin Winder